

Nucleo-Deblocker-M

Manual deblocking system for
Nucleo-blocked lenses

Small manual table top unit for Nucleo-blocked lenses.

satisloh[®]



Easy to adapt to different block-pieces



Manual load and off-load



Separation done by water jet



Features:

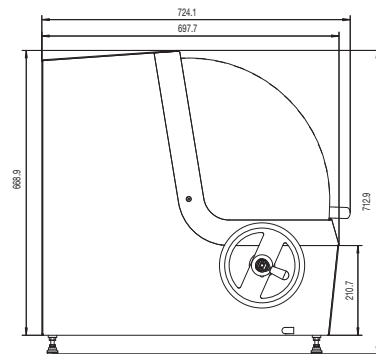
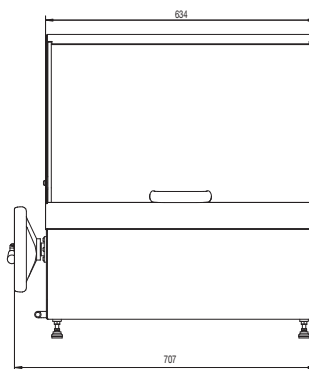
- Manually deblocking system for Nucleo-blocked lenses
- 20 l water tank inside easy to fill or to empty
- Quickly separates lens and adhesive from block-piece using water jet technology

Benefits:

- Small table-top machine
- Perfect addition to automated Nucleo-Deblocker
- Fits also for laboratory demand
- Large capacity: up to 100 lenses/h
- No air consumption
- Maintenance free

Technical Information:

- **Working Ranges:**
fits for all 5 block-pieces
- **Throughput:**
up to 100 lenses/h
- **Weight:**
90 kg / 200 lb (without water)
110 kg / 240 lb (with water)
- **Energy Requirements:**
400 V / 50 Hz (3~), 7 A
- **Dimensions (w x d x h):**
724 x 707 x 713 mm
28.5 x 27.8 x 28 inches



Contact

Satisloh AG
Neuhofstrasse 12
CH - 6340 Baar
Switzerland
Phone: +41 (0) 41766 16 16
Fax: +41 (0) 41766 16 10
Mail: info@satisloh.com

www.satisloh.com

North America

Phone: +1 262 255 6001
Email: info.usa@satisloh.com

Europe

Phone: +49 (0) 6441 912 0
Email: info.de@satisloh.com

Asia

Phone: +852 27 56 7711
Email: info.asia@satisloh.com

Service
Phone: +1 262 255 6001
Email: service.usa@satisloh.com

Phone: +49 (0) 6441 912 222
Email: service.de@satisloh.com

Phone: +852 2756 7654
Email: service.asia@satisloh.com

satisloh®

